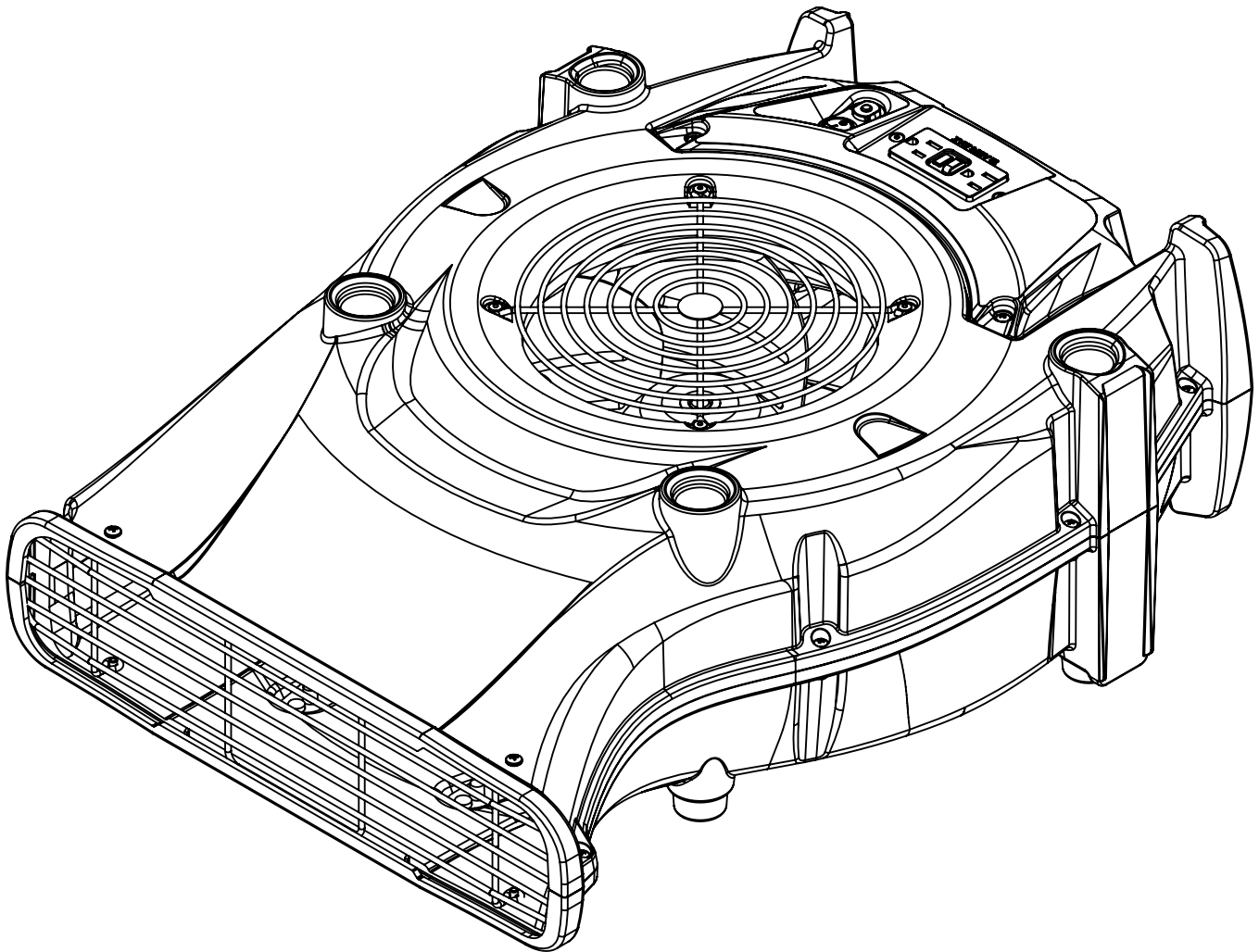
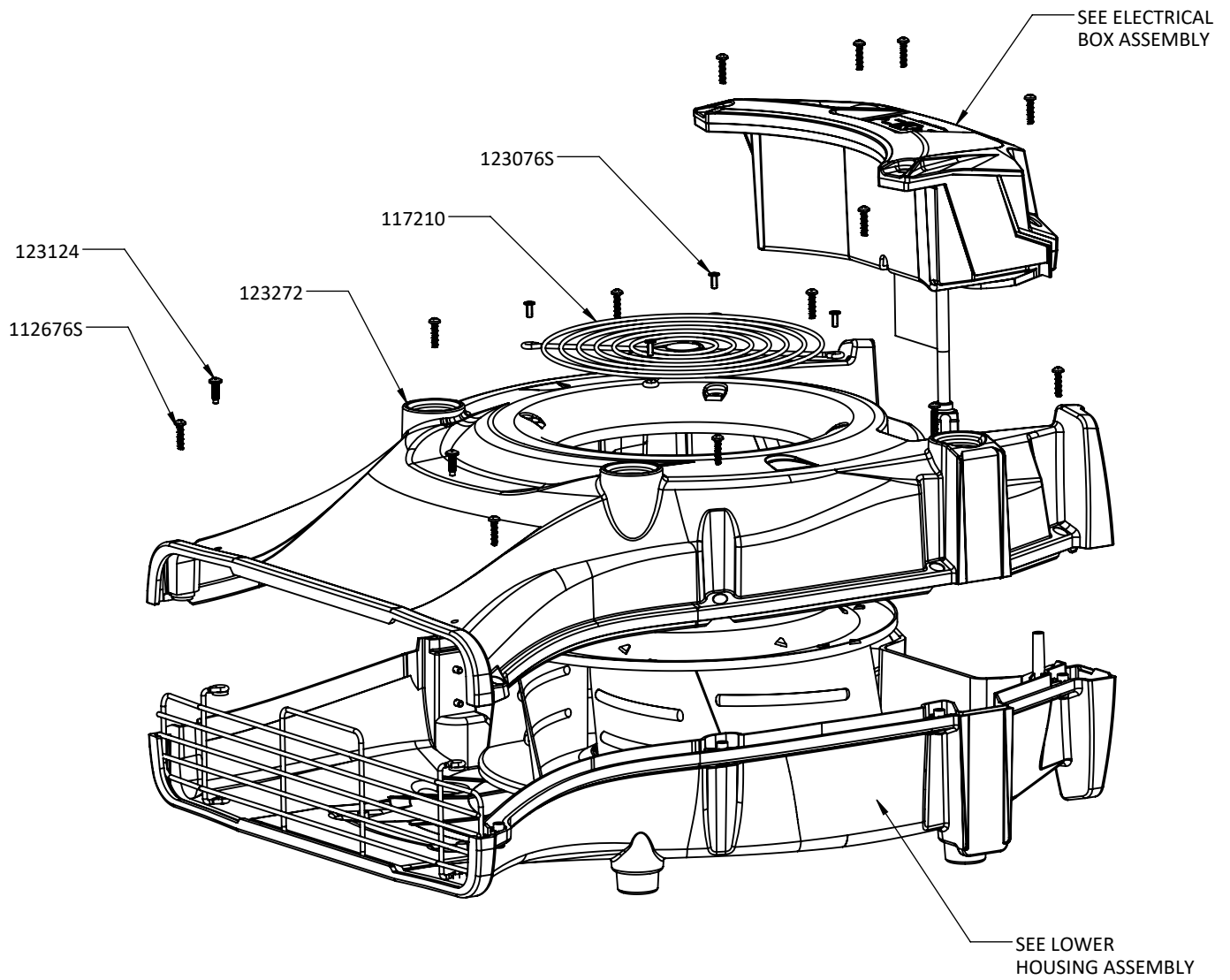


VELO 115V INJECTION MOLDED LOW PROFILE AIRMOVER

MANUFACTURING DATE: 10/2020 - 08/2021



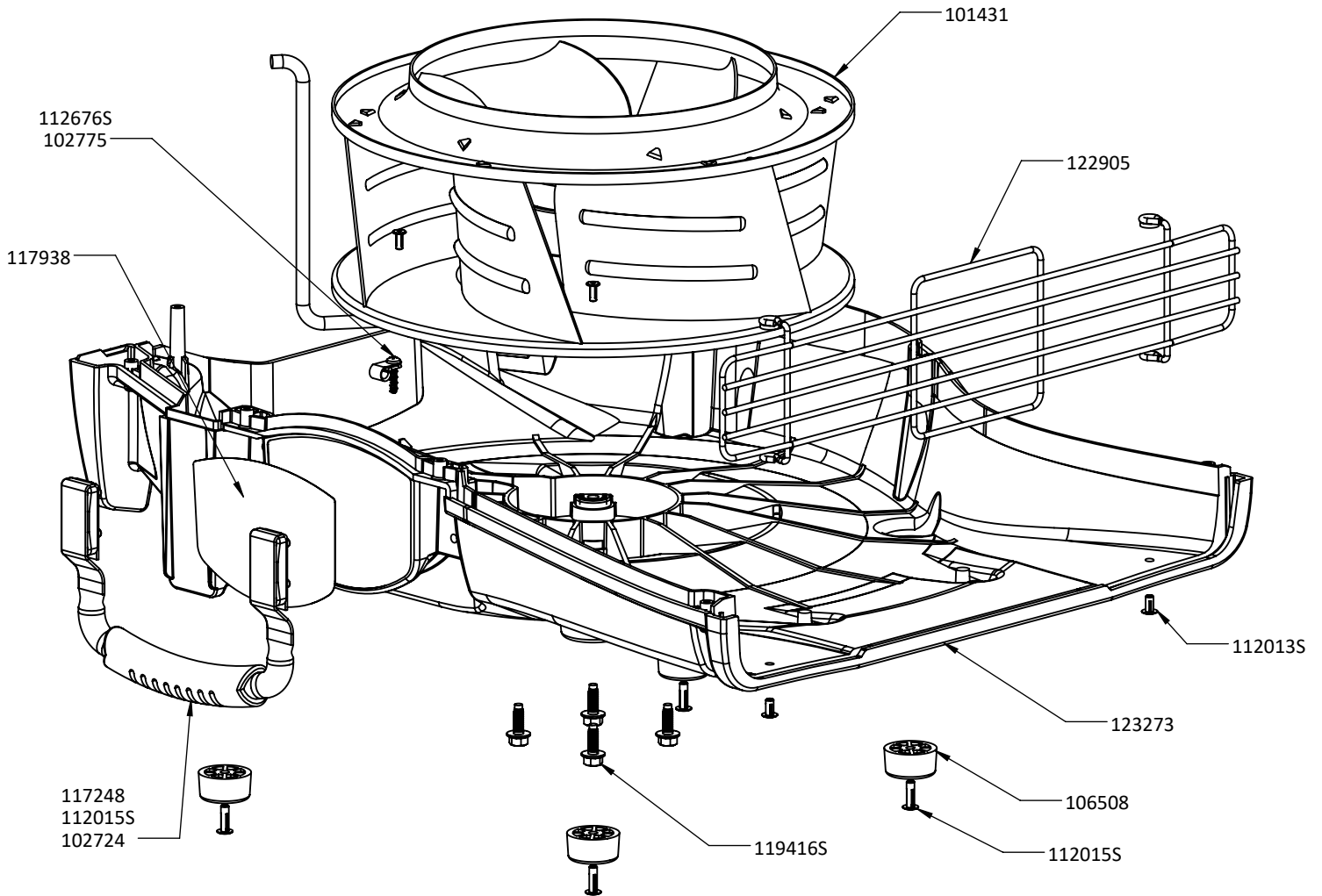
Parts are available through Legend Brands distributors. To locate a distributor near you, visit [Legendbrandsrestoration.com/Dealer-Search](https://www.legendbrandsrestoration.com/Dealer-Search)
For technical questions, visit [info.LegendBrands.com](https://www.info.LegendBrands.com) or email service@legendbrandsrestoration.com



MAIN ASSEMBLY

PART NO.	QTY	UNIT	DESCRIPTION
123272	1	EA	HOUSING - TOP LPA FISHER BLU
123076S	4	EA	RIVET - 5/32 X 1/4 TRI FOLD AL/AL BLK
117210	1	EA	GRILL - INLET PC GL BLK VELO
112676S	17	EA	SCREW - HI-LO #10-16 X 3/4 PH PHIL BLACK ZINC
112599	2	EA	SCREW - M5 X 14MM PHP ZP

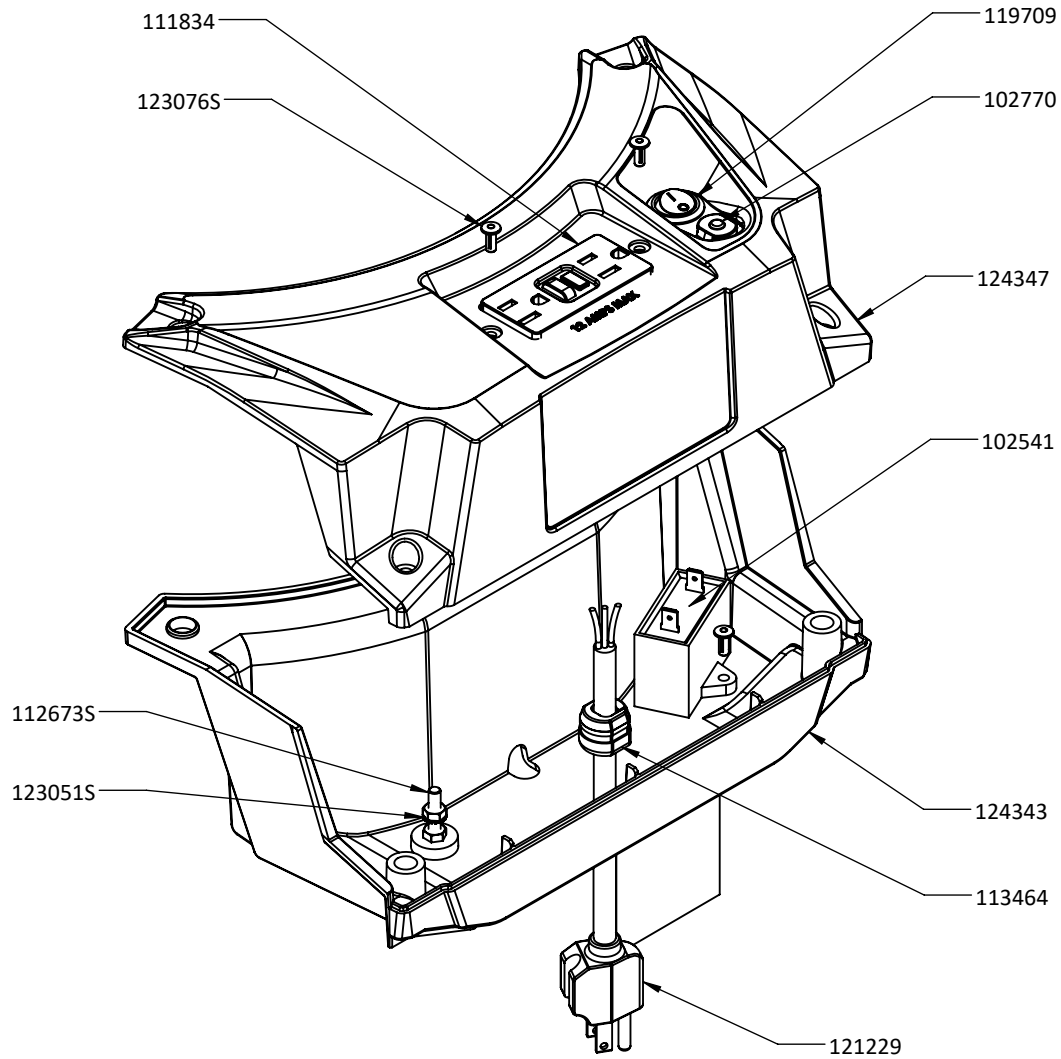
Parts are available through Legend Brands distributors. To locate a distributor near you, visit Legendbrandsrestoration.com/Dealer-Search
 For technical questions, visit info.LegendBrands.com or email service@legendbrandsrestoration.com



LOWER HOUSING ASSEMBLY

PART NO.	QTY	UNIT	DESCRIPTION
123273	1	EA	HOUSING - BOTTOM LPA FISHER BLU
122905	1	EA	GRILL - OUTLET PC GL BLK VELO
119416S	4	EA	SCREW - M6 X 18MM HWH NYLOC XYP MATPOINT
117938	1	EA	LABEL - PRODUCT VELO (QR)
117248	1	EA	HANDLE - GRAB WITH LIFTING STRAP
114104S	2	EA	RIVET - 3/16 X 1/2 AL/AL BLK ANOD
112676S	5	EA	SCREW - #10-16 X 3/4 TF HIGH-LOW PHIL PH ZP BLK
112015S	6	EA	RIVET - 3/16 X 5/8 TRI FOLD AL/AL
106508	4	EA	FOOT - ROUND 3/16 ID X 1.25 OD X 5/8 RUBBER BLK
102775	1	EA	CLAMP - CABLE .38 WIDE X .25 ID NYLON BLK
102724	2	EA	CLIP - HANDLE MTG NYLON BLK
101431	1	EA	BLOWER ASSY - MOTORIZED IMPELLER 115V 190W 1600 RPM 1 SP VEL

Parts are available through Legend Brands distributors. To locate a distributor near you, visit Legendbrandsrestoration.com/Dealer-Search
 For technical questions, visit info.LegendBrands.com or email service@legendbrandsrestoration.com

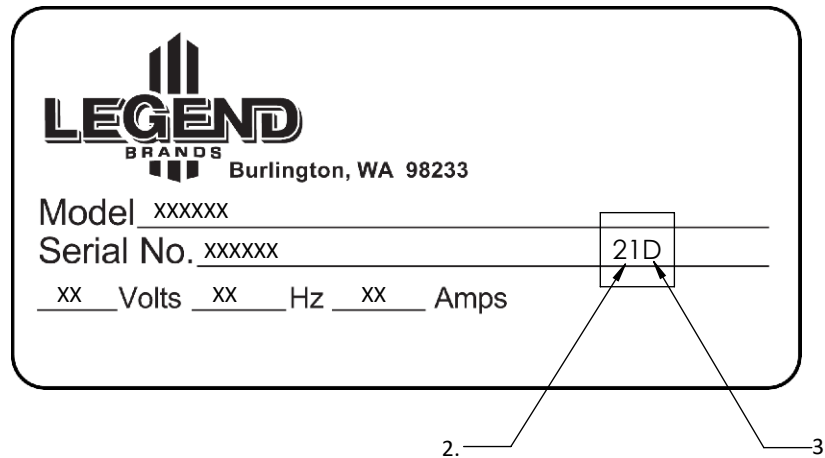


ELECTRICAL BOX ASSEMBLY

PART NO.	QTY	UNIT	DESCRIPTION
124347	1	EA	ENCLOSURE - ELECTRICAL BOX VELO 115V
124343	1	EA	ENCLOSURE - ELECTRICAL BOX BOTTOM VELO
123076S	3	EA	RIVET - 5/32 X 1/4 TRI FOLD AL/AL BLK
123051S	2	EA	NUT - #10-24 W/STAR WASHER ZP
121229	1	EA	POWER CORD ASSY - 14/3 SJTW 5-15P 18FT
119709	1	EA	SWITCH - ROCKER SPST ROUND
113464	1	EA	STRAIN RELIEF - .370 DIA X .13 BLK
112673S	1	EA	SCREW - #10-24 X 1 HWH SER ZP
111834	1	EA	RECEPTACLE - 15A W/ GFCI
102770	1	EA	CIRCUIT BREAKER - 12A THERMAL SNAP IN
102541	1	EA	CAPACITOR - 16MFD 250V W/MTG BRKT

Parts are available through Legend Brands distributors. To locate a distributor near you, visit Legendbrandsrestoration.com/Dealer-Search
 For technical questions, visit info.LegendBrands.com or email service@legendbrandsrestoration.com

DATE CODE LEGEND



1. THE DATE CODE CAN BE FOUND ON THE RIGHT SIDE OF THE SERIAL NUMBER LINE
2. THE FIRST PORTION OF THE DATE CODE REPRESENTS THE LAST TWO DIGITS OF THE YEAR IN WHICH THE PRODUCT WAS MANUFACTURED
3. THE SECOND PORTION OF THE DATE CODE REPRESENTS THE MONTH IN WHICH THE PRODUCT WAS MANUFACTURED. THE MONTHS ARE REPRESENTED BY LETTERS OUTLINED IN THE TABLE BELOW.

LETTER	MONTH
A	JANUARY
B	FEBRUARY
C	MARCH
D	APRIL
E	MAY
F	JUNE
G	JULY
H	AUGUST
I	SEPTEMBER
J	OCTOBER
K	NOVEMBER
L	DECEMBER

NOTE:

SERIAL LABEL DETAILS (I.E. BRANDING, SPECIFICATIONS, ETC.) ARE SUBJECT TO CHANGE BASED ON THE PRODUCT